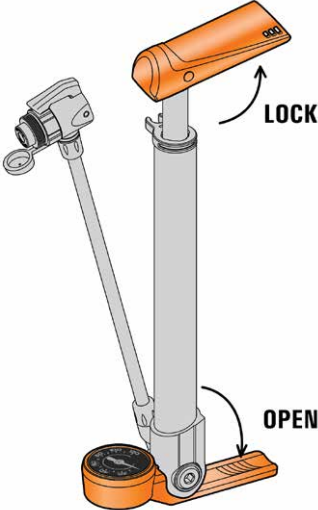
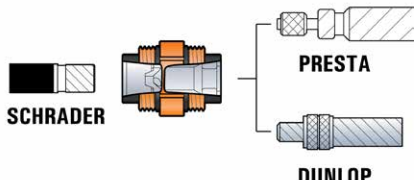
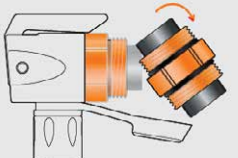
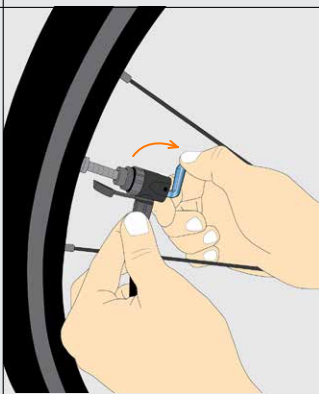
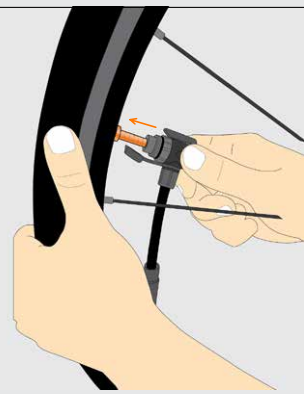
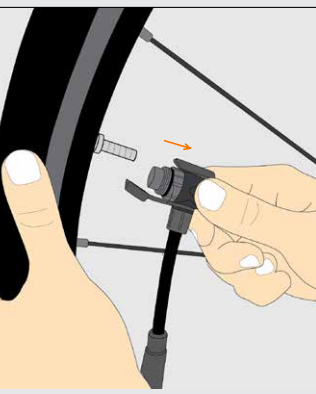


Mini Travel Pump with Gauge

USER MANUAL

 <p>LOCK</p> <p>OPEN</p>	<p>FEATURES</p> <ul style="list-style-type: none"> · 1.5" Dial gauge · Foldable one piece gauge and pedal · Aluminum barrel · Ergonomic T-Handle · Clever Twin Valve for Schrader, Presta and Dunlop
<p>TWIN VALVE</p>  <p>SCHRADER</p> <p>PRESTA</p> <p>DUNLOP</p>	

<p>1</p>  <p>Choose the correct pump valve</p>	<p>2</p>  <p>Flip up the lever to securely hold the valve, then inflate.</p>	<p>3</p>  <p>Insert pump head to tyre valve</p>	<p>4</p>  <p>After inflating desired pressure, unlock the lever and take the pump head off the tyre.</p>
--	--	--	--