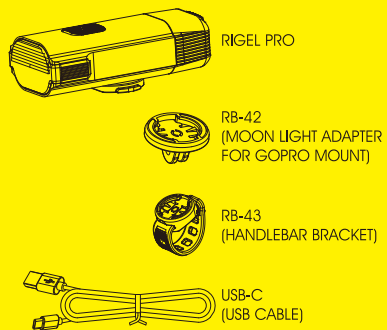




The light is locked for shipment, refer to OPERATION instruction to unlock. Read this manual carefully before using and keep for future reference. Visit [www.moon-sport.com](http://www.moon-sport.com) for manual updates. The specifications and design are subject to change without notice.

## CONTENTS



**Optional accessories:**  
RB-41 (HELMET MOUNT)  
USB-C-RM2020 (REMOTE CONTROL)



# RIGEL PRO MANUAL

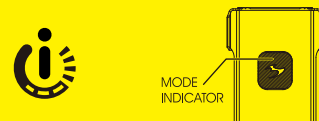
## OPERATION



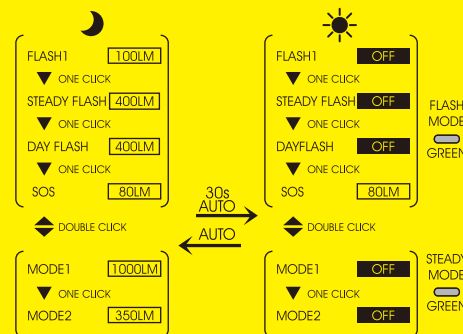
- ON / OFF : Press 1s
- MODE SELECT : Click
- STEADY / FLASH : Double Click
- INTELLIGENT : 1, Power off  
2, Press 3s: NORMAL FLASH 1 TIME  
INTELLIGENT FLASH 1 TIME
- LOCK/UNLOCK : 1, Power off  
2, Press 6s: Locked FLASH 2 TIMES  
Unlocked FLASH 2 TIMES

\* Lock system: Lock the light to prevent accidentally turned on.  
\* Mode memory: The light resumes previous mode upon next usage.

## INTELLIGENT OPERATION



**INTELLIGENT BRIGHTNESS FUNCTION**  
Automatically turns to Stand By Mode (OFF) during daytime, and turns to selected mode at night or in dark area.



### INTELLIGENT MOTION SENSING FUNCTION

**Parking**  
Automatically turns to standby mode when no action is detected.



\* At day time, the indicator will change to steady in the stand by mode, (the lumen will not go down to 10lm)  
\* Max standby time: 450hrs

## VARIABLE LUMEN SYSTEM



- Select desired mode.
- Press and hold to set lumen.
- Release when reaching desired lumen.

\* Light flashes twice when reaching the MAX or MIN lumen level.

- \* Restore default mode: 1, Power off  
2, Press 10s: FLASH 3 TIMES

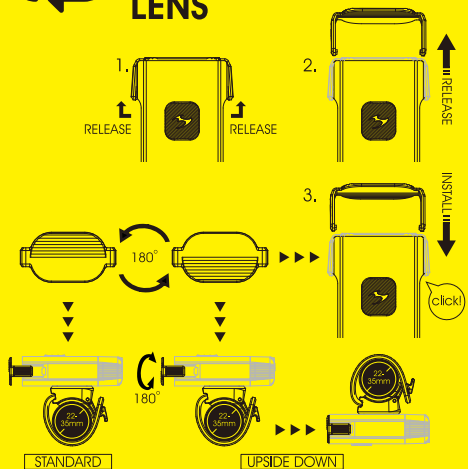
## RUNTIME

ANSI FL1	MODE1	MODE2	FLASH1	STEADY FLASH	DAY FLASH	SOS
	1000	350	100	400	400	80
	1:30	3:30	69:00	23:00	50:00	48:00
<b>VLS LUMEN</b>	1000-20	1000-20	1000-20	1000-20	1000-20	-
	1:30-60:00	1:30-60:00	7:00-226:00	11:00-130:00	22:00-340:00	-

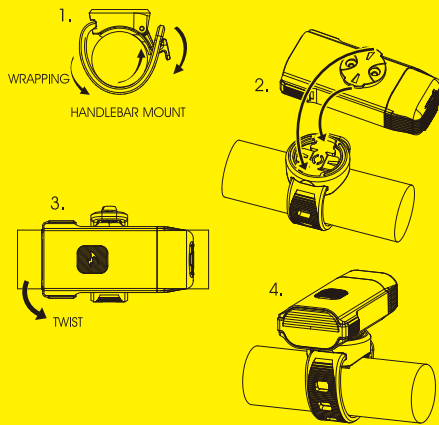
DEPENDS ON MODE LUMENS

ANSI FL1	MODE1	MODE2	FLASH1	STEADY FLASH	DAY FLASH	SOS
	OFF	OFF	OFF	OFF	OFF	80
	450:00	450:00	450:00	450:00	450:00	48:00

## ROTATABLE ANTI-DAZZLING LENS



## HANDLEBAR MOUNTING



## OVERHEAT PROTECTION

The overheat protection device can ensure the bicycle light in a good running temperature condition, so that to protect the LEDs without burning case. If the light is in high temperature during operation, it will dim the light output.

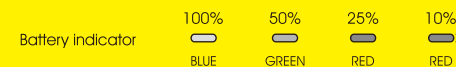
## CHARGING

- Power off.
- Plug USB cable to USB port.
- Unplug after fully charged.

\* Do not charge over 5V.  
\* Keep away from flammable objects while charging.



## BATTERY CAPACITY AND CHARGING INDICATOR



## WARNING

Understand country lighting laws and regulations before use. Do not shine light directly into eyes. Do not mount near wireless computer. Do not blind the oncoming vehicles. Always adjust the angle downward. Do not submerge the light into water. Keep light in cool and dry place when storing. Fully recharge the light at least every 3 months during storage.

## WARRANTY

MOON Lights are covered by a **2-year LIMITED WARRANTY**, while MOON batteries are covered by a **180-day warranty**, both starting from the date of purchase.

This warranty covers defects or malfunctions arising from manufacturing or design flaws in the product. It does not cover normal wear and tear, non-rechargeable batteries, and damage caused by improper installation, misuse, mishandling, accidental loss, abuse, accidents, or negligence.

MOON may require the return of any product submitted for warranty consideration. Customers should contact their authorized local dealer or authorized regional distributor for warranty service.

For more information, please contact [cs@moon-sport.com](mailto:cs@moon-sport.com).  
ONLINE WARRANTY REGISTRATION  
Please visit [www.moon-sport.com](http://www.moon-sport.com) for online warranty registration.