



JETBLACK cycling

M1 PRO HydroGEL MagTRAINER

www.jetblackcycling.com
info@jetblackcycling.com

Code: JBT-M1PRO-SRS

Please read the following directions thoroughly before use.

CAUTION

- This trainer is intended for single-rider bicycles only.
- Read and follow all instructions.
- Before beginning each workout, be sure the bicycle is securely attached to the trainer.
- Resistance unit can become hot enough to cause burns. Do not touch resistance unit during use and for some period after use until it has had sufficient time to cool.
- Keep children and pets away from the trainer during use.
- Before you start any exercise program you should consult a physician.

WARNING

Read and follow all instructions concerning installation of the bicycle on the trainer. Failure to securely attach the bicycle to the trainer could result in serious injury to the rider or bystanders.

BICYCLE MOUNTING INSTRUCTIONS

1. Start by making enough clearance for the rear wheel. Rotate the large adjustment knob and the release clamp with the related locking ring at the same time counter-clockwise, moving them outward/away from the trainer frame. Leave the release clamp in the closed position that is the position closest to the frame. Diagram 1
2. Turn the roller adjustment knob counter-clockwise a few rotations so the roller is past vertical to allow for clearance of the rear tire while mounting. Diagram 2
3. Replace the bicycle's rear wheel quick release (QR) skewer with the one provided with the trainer. See bicycle owner's manual for instructions on how to properly adjust the QR skewer. Make sure the skewer is tight and that your wheel is aligned properly on the bicycle.
4. Carefully lift your bike into position, aligning the rear QR skewer with the axle clamp cones. While holding the bicycle steady, slide the right side QR skewer nut into the axle clamp cone. Diagram 3

Using the adjustment knob and the release clamp, tighten the clamp cones until they come into contact with the bicycle's QR skewer ends. Make sure that the QR skewer aligns with the notch in the clamp cones. Rotate the clamp cone cup as necessary to centre the bicycle's rear wheel over the centre of the roller on the roller assembly.

After contact is made, tighten the adjustment knob and lever clamp until the bike is securely held – an additional few complete turns of the handle. Now test the release clamp can be opened and closed. The release clamp should close firmly by hand.

- If the lever will not open or close, loosen the adjustment knob by rotating counter-clockwise.
- If the lever is too easy to close or open by hand and is not firm, tighten the adjustment knob by rotating clockwise.

Rotate the locking rings clockwise until they are firm against the trainer frame. Check that the bicycle is secure by pushing or pulling on the bicycle's top tube or seat.

Diagram 4

5. Attach the resistance adjust lever to the bike's handlebar

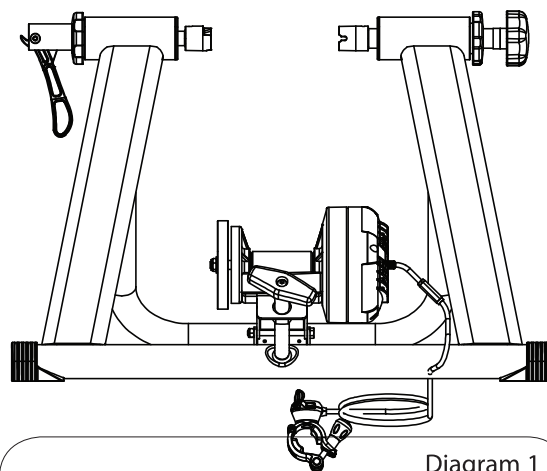


Diagram 1

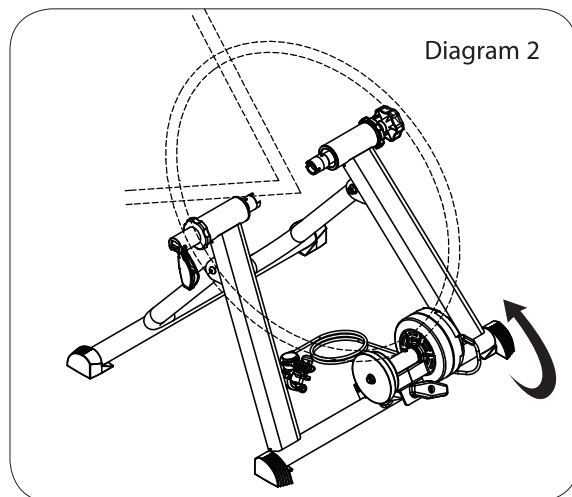
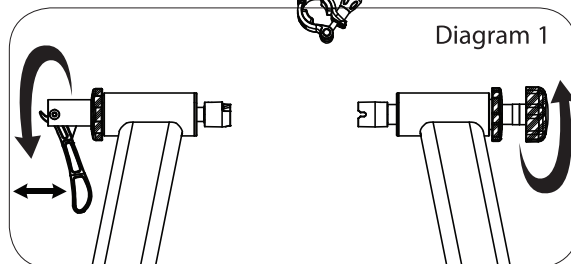


Diagram 2

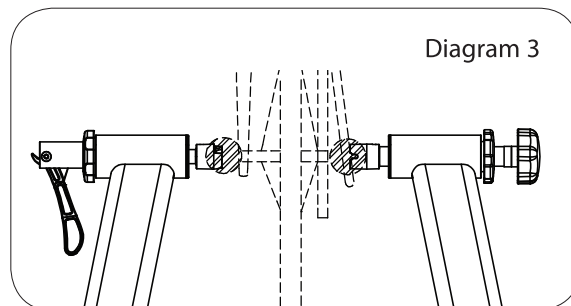


Diagram 3

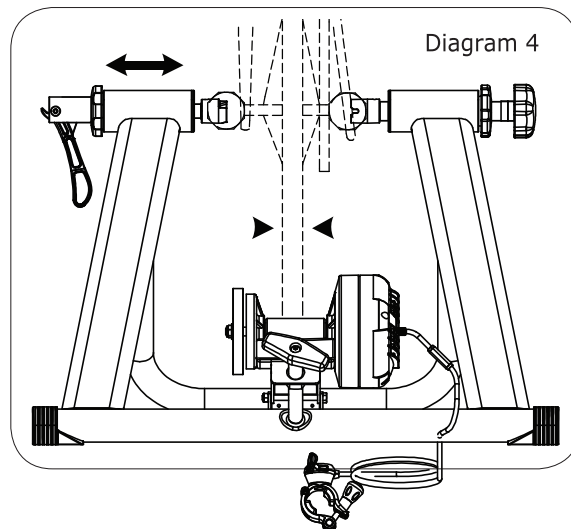


Diagram 4

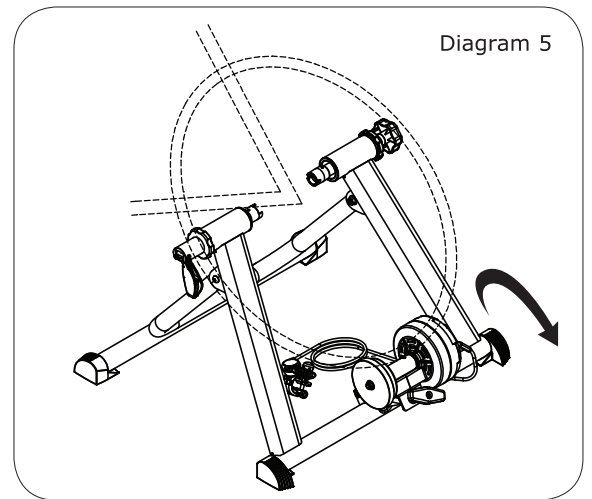
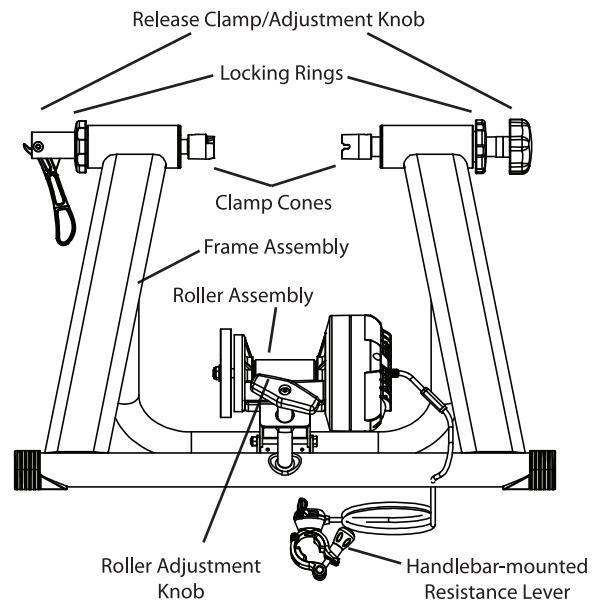


JETBLACK cycling®

VA1 PRO HydroGEL MagTRAINER

USING YOUR TRAINER

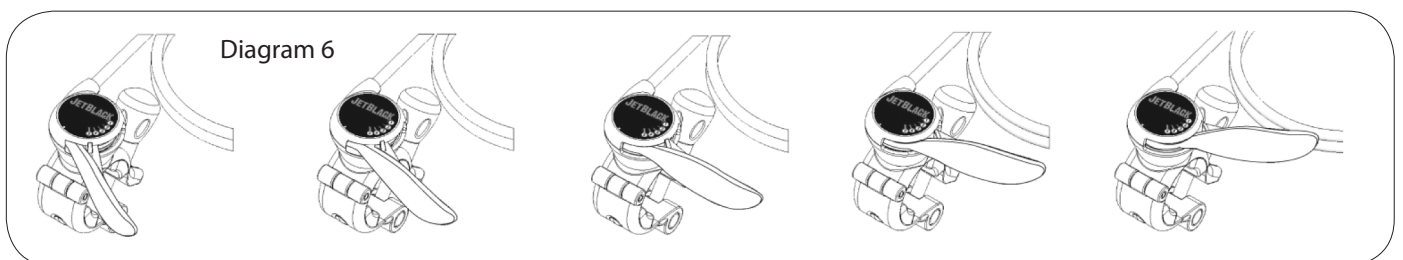
1. Tighten the roller adjustment knob by turning it clockwise until the resistance unit roller assembly contacts the rear tire. See Diagram 5. Then tighten the knob **an additional 1½ to 2 full turns**. The roller needs to provide only enough pressure to prevent the rear tire from slipping while in use.
2. Keep in mind that riding on an indoor trainer will cause your rear tire to wear more quickly than it would on the road. The tips below will help minimize tire wear.
 - a) Allowing the tire to slip against the roller will accelerate tire wear. If you notice the tire slipping regularly during use, tighten the knob by additional ¼ turn as necessary to reduce slipping.
 - b) Try to apply power more evenly when accelerating and pedal with a smoother stroke.
 - c) Use a smooth tread tire at least 23mm in width and maintain the maximum recommended inflation pressure for your tire.
3. To make your indoor workout as quiet as possible, set the trainer on a JetBlack Trainer Mat and use a rear tire with a smooth tread pattern. Once attached, the bicycle slopes downward slightly. To level, use the optional JetBlack Riser Block under the front tire.
4. This trainer has 5 levels of resistance to help keep variety in your workout program. To change the level, move the orange lever up or down as required. Level 1 is the least (easiest) level of resistance, and level 5 being the hardest. Changing gears on your bike will also have an effect on your exertion levels.



CHANGING TRAINER RESISTANCE

5. This trainer has 5 levels of resistance to help keep variety in your workout program. To change the level, pull the handle bar mounted resistance knob inward or push it outward to obtain the desired level. Diagram 6

Level one offers the least resistance while level five offers the most. Changing gears on your bike will also have an effect on your exertion levels.



BICYCLE REMOVAL

1. Loosen the roller adjustment knob so the resistance unit is as close to the floor as possible.
2. While supporting the bicycle, release the clamp lever by pulling away from the trainer until the bicycle's skewer is free from the clamp cones.
3. Note: The QR skewer provided with the trainer can be used when riding the bicycle of the trainer as well. If you choose to reinstall your bicycle's original skewer, refer to your bicycle owner's manual for instructions on properly adjusting the skewer. Before riding, ensure the quick release skewer is tight.
4. To store or transport your trainer, grasp the trainer frame by the adjustment knob/clamp lever and then lift. Fold the legs together, and the trainer is ready for transport or storage. Be careful when folding the legs to avoid pinching your fingers.