



# JETBLACK

cycling®

www.jetblackcycling.com  
info@jetblackcycling.com

## TRAINER PARTS MATRIX

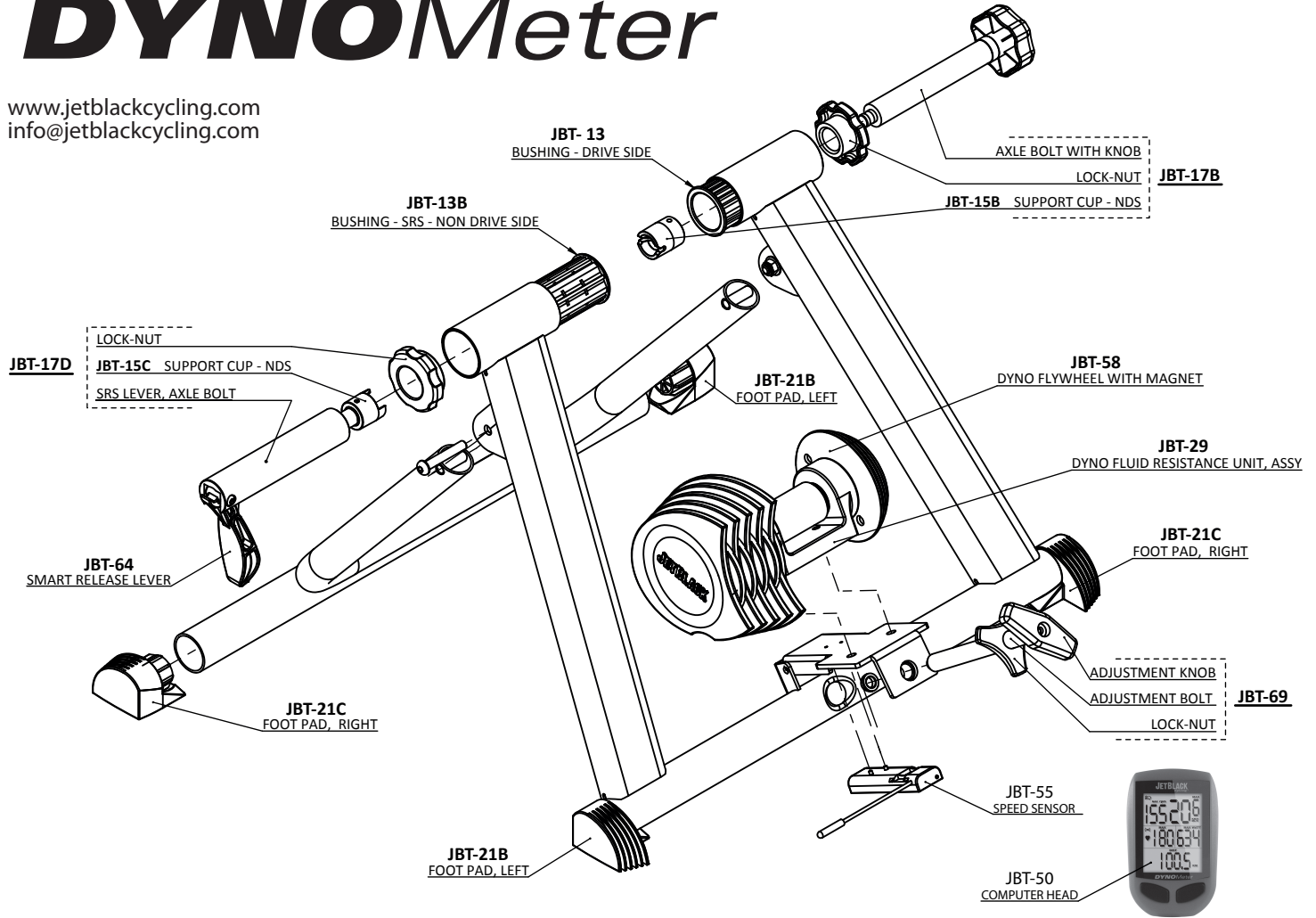
ITEM CODE	DESCRIPTION	DynoMeter	Z1	M1 Pro	M1	S1
JBT-13	JB Frame <b>Bushing</b> For Trainer - Threaded For adjustment Bolt	●	●	●	●	
JBT-13B	JB Frame <b>Bushing</b> For SRS Models	●	●	●		
JBT-15B	JB Axle <b>support cup Drive Side</b>	●	●	●	●	●
JBT-15C	JB Axle <b>support cup Non-Drive-Side</b>	●	●	●	●	●
JBT-17B	JB <b>Axle bolt</b> With Knob And Axle Support Cup <b>Drive Side</b>	●	●	●	●	
JBT-17C	JB <b>Axle bolt</b> With Knob And Axle Support Cup <b>Non-Drive-Side</b>				●	
JBT-17D	JB <b>Axle Bolt</b> With <b>SRS</b> Lever And Axle Support Cup <b>Non-Drive</b>	●	●	●		
JBT-21B	JB <b>Foot</b> For Trainer Base - Finned Design <b>(LH)</b>	●	●	●	●	
JBT-21C	JB <b>Foot</b> For Trainer Base - Finned Design <b>(RH)</b>	●	●	●	●	
JBT-22	JB <b>Skewer</b> For Trainer	●	●	●	●	●
JBT-27	JB <b>Remote Lever</b> For MagPro With Cable			●		
JBT-29	JB <b>Resistance</b> unit assembly (Fluid <b>Dynometer</b> )	●				
JBT-30	JB <b>Resistance</b> unit assembly ( <b>S1 Sport</b> )					●
JBT-32	JB <b>Axle bolt</b> With Axle Support Cup - <b>Drive-Side (S1 Sport)</b>					●
JBT-32B	JB <b>Axle bolt</b> With Axle Support CUP - <b>Non-Drive-Side (S1 Sport)</b>					●
JBT-35	JB Frame <b>bushing (S1 Sport)</b>					●
JBT-36	JB <b>Resistance Unit Adjustment Bolt</b> With Knob ( <b>S1 Sport</b> )					●
JBT-37	JB <b>Foot</b> For Trainer Base ( <b>S1 Sport</b> )					●
JBT-38	JB <b>Heart Rate Transmitter</b>	●				
JBT-45	JB <b>Resistance</b> unit assembly ( <b>Z1 Fluid</b> )		●			
JBT-46	JB <b>Cadence Sensor</b> For DYNOMeter	●				
JBT-47	JB <b>Cadence Magnet</b> For JetRide Bike And DYNOMeter	●				
JBT-48	JB <b>Handlebar Mount</b> For JetRide Bike And DYNOMeter	●				
JBT-50	JB <b>Computer Display</b> Unit For DYNOMeter	●				
JBT-51	JB Dyno <b>Computer Head - Complete Assembly Package</b> With All Hardware and sensors	●				
JBT-53	JB <b>Resistance</b> unit assembly ( <b>M1 Mag</b> )				●	
JBT-54	JB <b>Resistance</b> unit assembly ( <b>M1 Pro</b> )			●		
JBT-55	JB Transmitter For <b>DYNOMeter</b> With Integrated <b>Sensor</b>	●				
JBT-56	JB <b>Flywheel Magnet</b> For Dynometer	●				
JBT-58	JB <b>Flywheel</b> for <b>Dynometer</b> Trainer	●				
JBT-62	JB <b>Battery Cover</b> For JetRide Bike And DYNOMeter	●				
JBT-64	JB <b>Lever</b> For <b>Smart Release System</b>	●	●	●		
JBT-67	M1 Pro <b>Thumb Shift Levers</b>			●		
JBT-69	JB <b>Resistance</b> unit <b>adjustment Bolt</b> w' Lock nut and knob ( <b>Fluid/Mag</b> )	●	●	●		



**JETBLACK**  
cycling®

# DYNOMeter

www.jetblackcycling.com  
info@jetblackcycling.com



DYNAMETER - TRAINER PARTS	
ITEM CODE	DESCRIPTION
JBT-13	JB Frame Bushing For Trainer - Threaded For adjustment Bolt
JBT-13B	JB Frame Bushing For SRS Models
JBT-15B	JB Axle support cup Drive Side
JBT-15C	JB Axle support cup Non-Drive-Side
JBT-17B	JB Axle bolt With Knob And Axle Support Cup Drive Side
JBT-17D	JB Axle Bolt With SRS Lever And Axle Support Cup Non-Drive
JBT-21B	JB Foot For Trainer Base - Finned Design (LH)
JBT-21C	JB Foot For Trainer Base - Finned Design (RH)
JBT-22	JB Skewer For Trainer (not Pictured)
JBT-29	JB Resistance unit assembly (Fluid Dynameter)
JBT-58	JB Flywheel for Dynameter Trainer
JBT-64	JB Lever For Smart Release System
JBT-69	JB Resistance unit adjustment Bolt w' Lock nut and knob (Fluid/Mag)
DYNAMETER - ELECTRONIC COMPONENTS	
ITEM CODE	DESCRIPTION
JBT-38	JB Heart Rate Transmitter (not pictured)
JBT-46	JB Cadence Sensor For DYNOMeter (not pictured)
JBT-47	JB Cadence Magnet For JetRide Bike And DYNOMeter (not pictured)
JBT-48	JB Handlebar Mount For JetRide Bike And DYNOMeter (not pictured)
JBT-50	JB Computer Display Unit For DYNOMeter
JBT-51	JB Dyno Computer Head - Complete Assembly Package With All Hardware and sensors (not pictured)
JBT-55	JB Transmitter For DYNOMeter With Integrated Sensor
JBT-56	JB Flywheel Magnet For Dynameter (not pictured)
JBT-62	JB Battery Cover For JetRide Bike And DYNOMeter (not pictured)



**JETBLACK**  
cycling®

# Z1 Fluid

www.jetblackcycling.com  
info@jetblackcycling.com



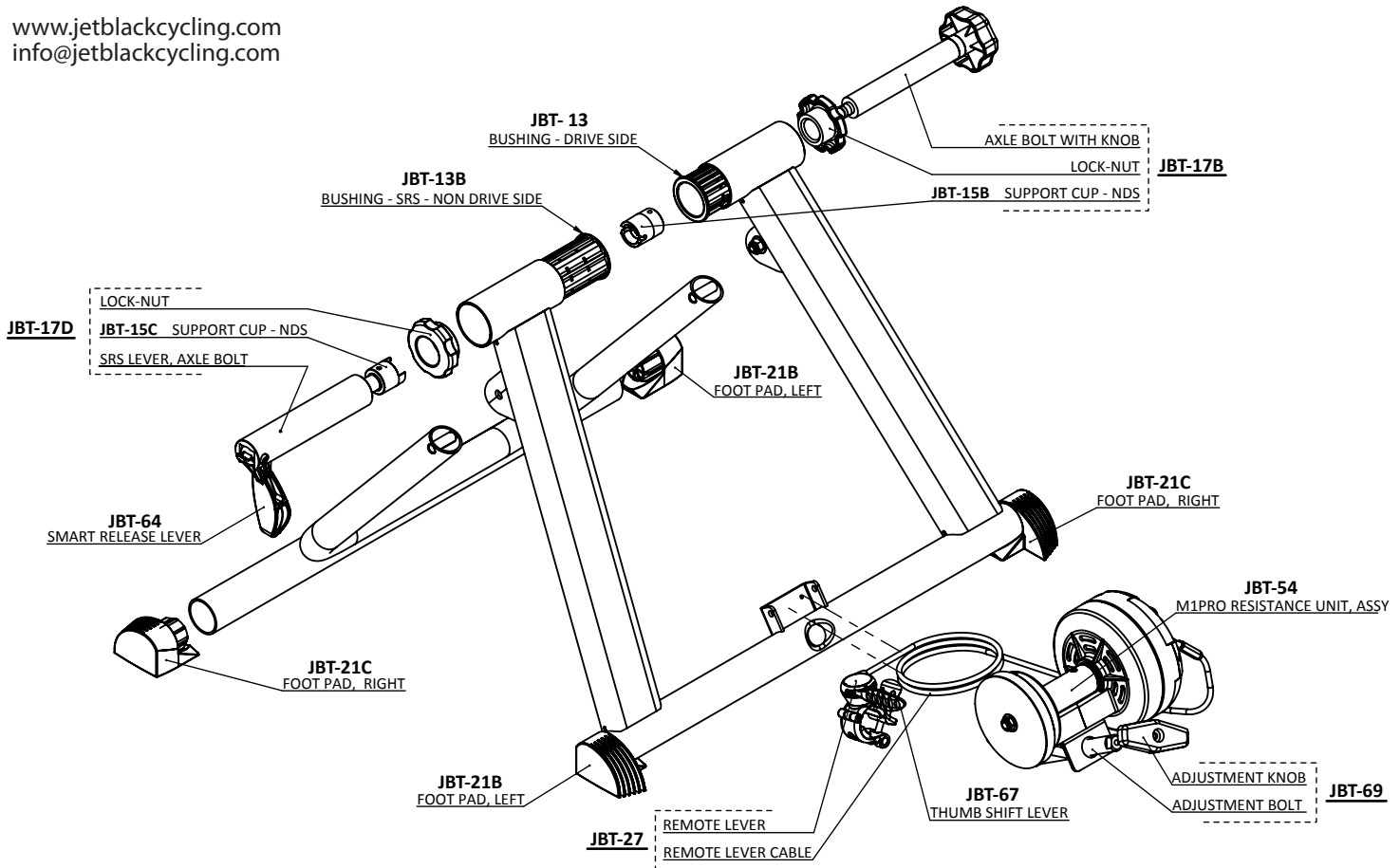
Z1 FLUID - TRAINER PARTS	
ITEM CODE	DESCRIPTION
JBT-13	JB Frame Bushing For Trainer - Threaded For adjustment Bolt
JBT-13B	JB Frame Bushing For SRS Models
JBT-15B	JB Axle support cup Drive Side
JBT-15C	JB Axle support cup Non-Drive-Side
JBT-17B	JB Axle bolt With Knob And Axle Support Cup Drive Side
JBT-17D	JB Axle Bolt With SRS Lever And Axle Support Cup Non-Drive
JBT-21B	JB Foot For Trainer Base - Finned Design (LH)
JBT-21C	JB Foot For Trainer Base - Finned Design (RH)
JBT-22	JB Skewer For Trainer (not Pictured)
JBT-45	JB Resistance unit assembly (Z1 Fluid)
JBT-64	JB Lever For Smart Release System
JBT-69	JB Resistance unit adjustment Bolt w' Lock nut and knob (Fluid/Mag)



# JETBLACK cycling™

# M1 PRO HydroGEL MagTRAINER

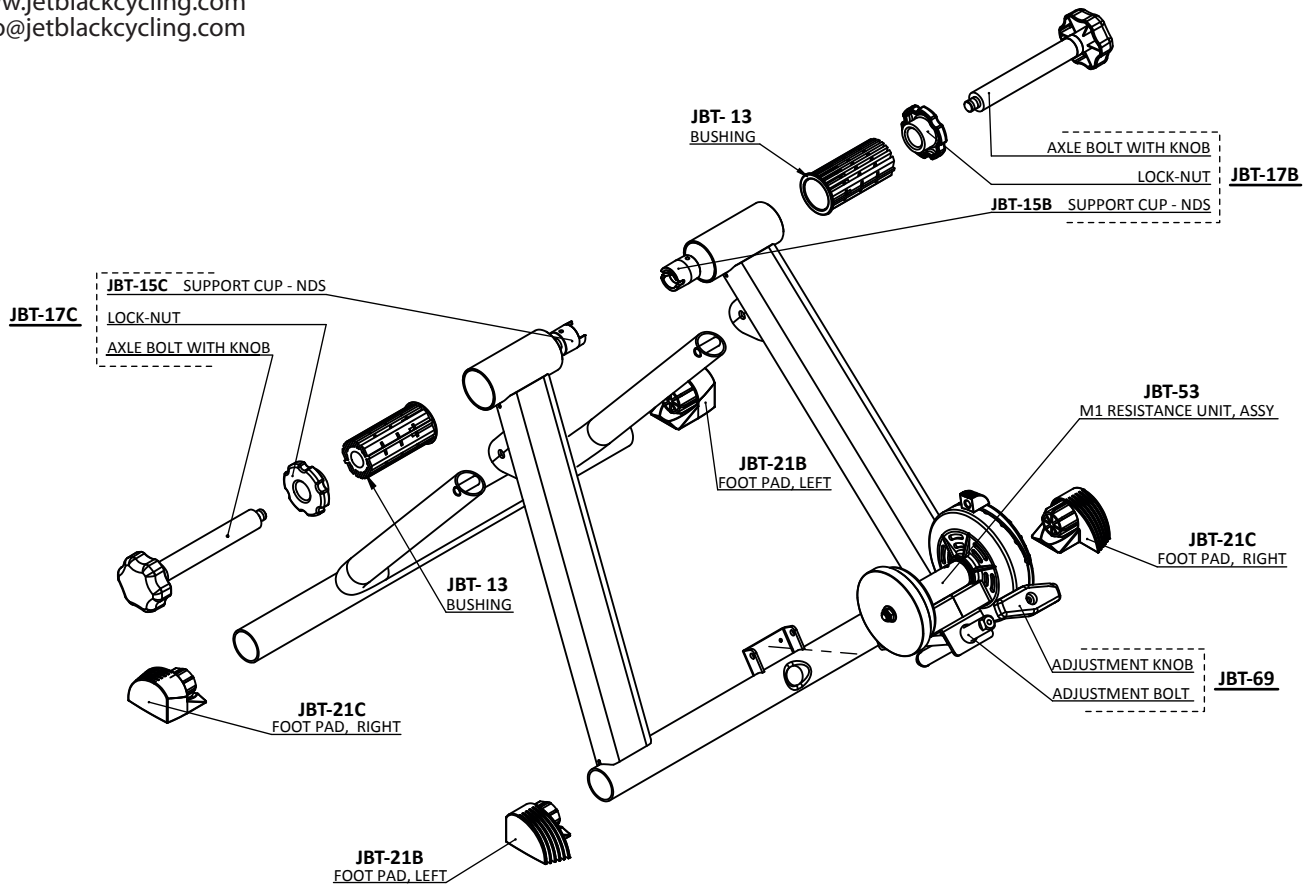
www.jetblackcycling.com  
info@jetblackcycling.com



M1-PRO - TRAINER PARTS	
ITEM CODE	DESCRIPTION
JBT-13	JB Frame Bushing For Trainer - Threaded For adjustment Bolt
JBT-13B	JB Frame Bushing For SRS Models
JBT-15B	JB Axle support cup Drive Side
JBT-15C	JB Axle support cup Non-Drive-Side
JBT-17B	JB Axle bolt With Knob And Axle Support Cup Drive Side
JBT-17D	JB Axle Bolt With SRS Lever And Axle Support Cup Non-Drive
JBT-21B	JB Foot For Trainer Base - Finned Design (LH)
JBT-21C	JB Foot For Trainer Base - Finned Design (RH)
JBT-22	JB Skewer For Trainer (not Pictured)
JBT-27	JB Remote Lever For MagPro With Cable
JBT-54	JB Resistance unit assembly (M1 Pro)
JBT-64	JB Lever For Smart Release System
JBT-67	M1 Pro Thumb Shift Levers
JBT-69	JB Resistance unit adjustment Bolt w' Lock nut and knob (Fluid/Mag)

# MA Mag TRAINER

www.jetblackcycling.com  
info@jetblackcycling.com



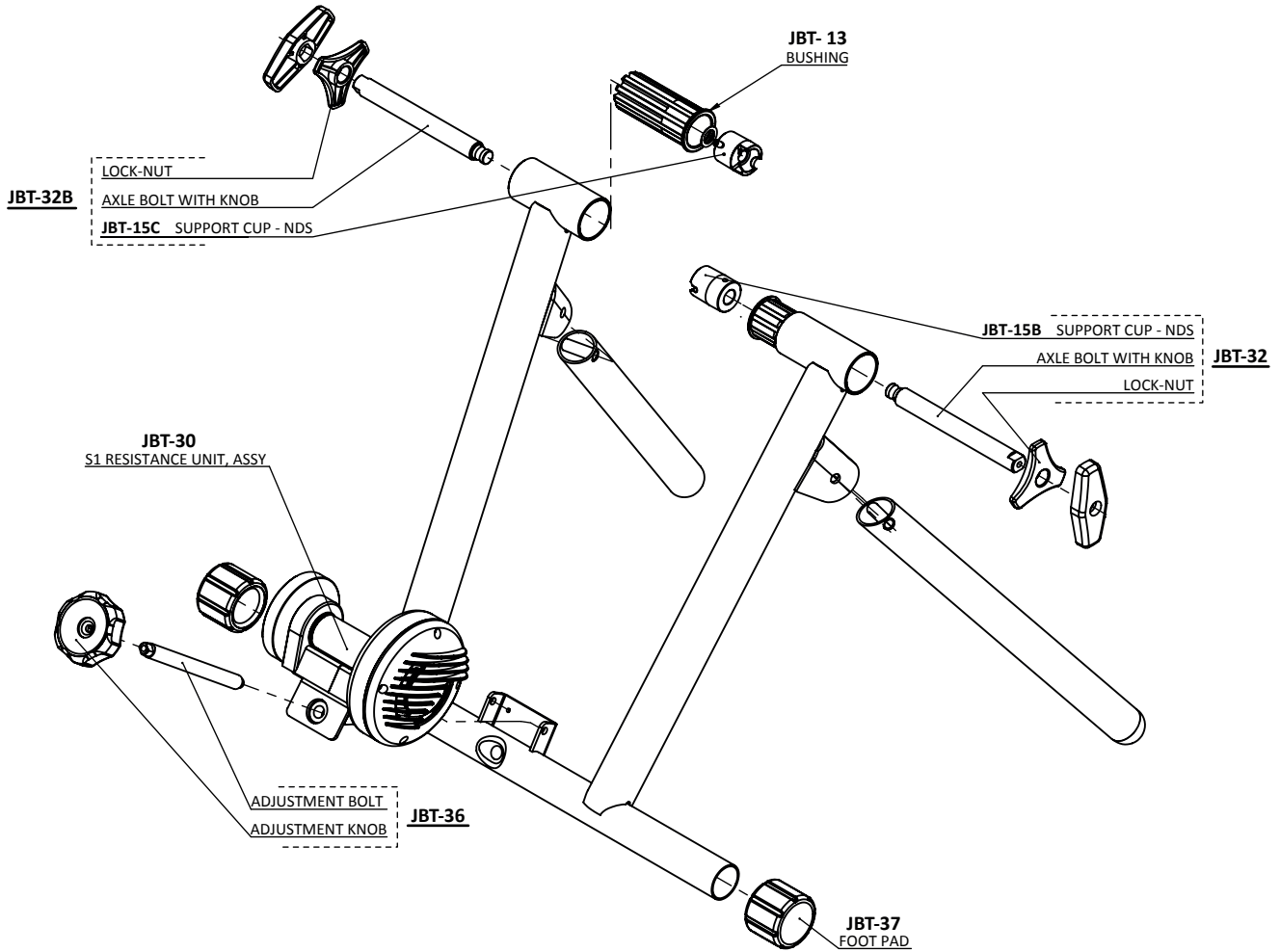
M1 - TRAINER PARTS	
ITEM CODE	DESCRIPTION
JBT-13	JB Frame Bushing For Trainer - Threaded For adjustment Bolt
JBT-15B	JB Axle support cup Drive Side
JBT-15C	JB Axle support cup Non-Drive-Side
JBT-17B	JB Axle bolt With Knob And Axle Support Cup Drive Side
JBT-17C	JB Axle bolt With Knob And Axle Support Cup Non-Drive-Side
JBT-21B	JB Foot For Trainer Base - Finned Design (LH)
JBT-21C	JB Foot For Trainer Base - Finned Design (RH)
JBT-22	JB Skewer For Trainer (not Pictured)
JBT-53	JB Resistance unit assembly (M1 Mag)
JBT-69	JB Resistance unit adjustment Bolt w' Lock nut and knob (Fluid/Mag)



**JETBLACK**  
cycling™

# S1 Sport MagTRAINER

www.jetblackcycling.com  
info@jetblackcycling.com



S1 - TRAINER PARTS	
ITEM CODE	DESCRIPTION
JBT-35	JB Frame bushing (S1 Sport)
JBT-15B	JB Axle support cup Drive Side
JBT-15C	JB Axle support cup Non-Drive-Side
JBT-32	JB Axle bolt With Axle Support Cup - Drive-Side (S1 Sport)
JBT-32B	JB Axle bolt With Axle Support CUP - Non-Drive-Side (S1 Sport)
JBT-37	JB Foot For Trainer Base (S1 Sport)
JBT-22	JB Skewer For Trainer (not Pictured)
JBT-30	JB Resistance unit assembly (S1 Sport)
JBT-36	JB Resistance Unit Adjustment Bolt With Knob (S1 Sport)